

MICRO SWITCH
a Honeywell Division

FED. MFG. CODE 91929

ASSEMBLY-SWITCH

CATALOG LISTING

2AC59

KC-B0590

MILITARY STDS PART NO
MS 16106-1

CATALOG LISTING
2AC59

PAGE 1 OF 1

ISSUE
5

REVISIONS
A CO-1
83621
K D R
7 SEP 96

DDM/CAD
DRAWN

REPLACES

RELEASE NO. PR-152

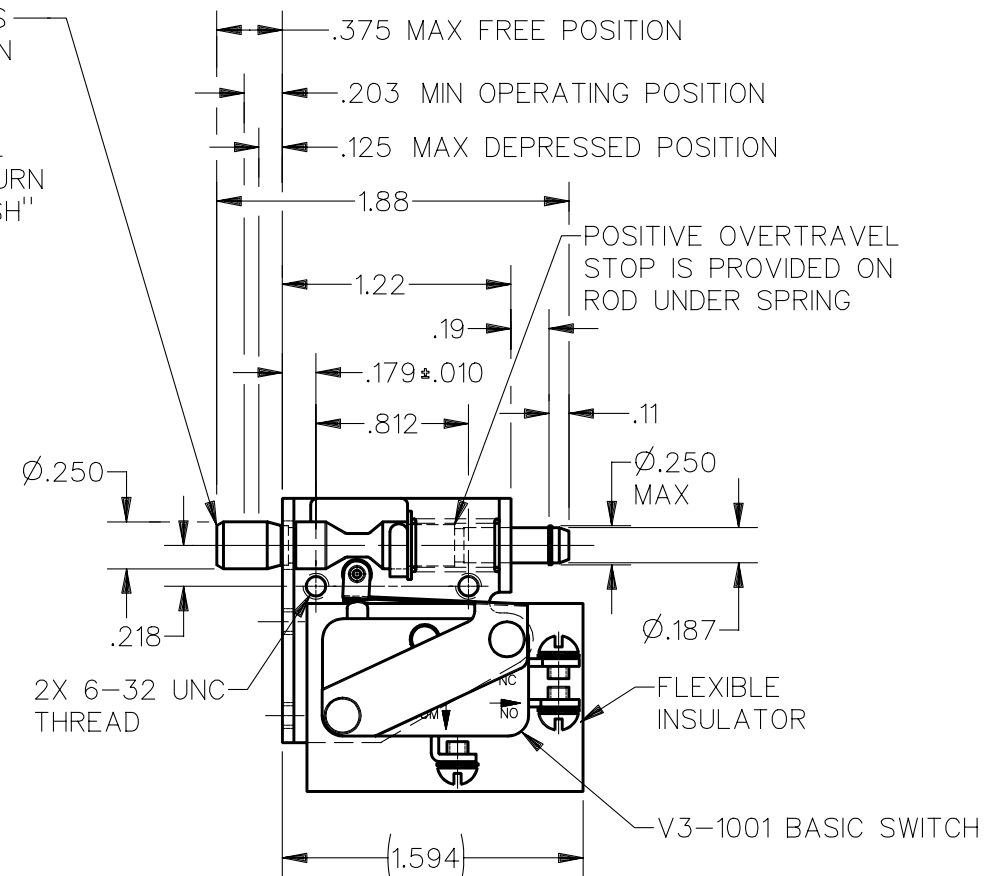
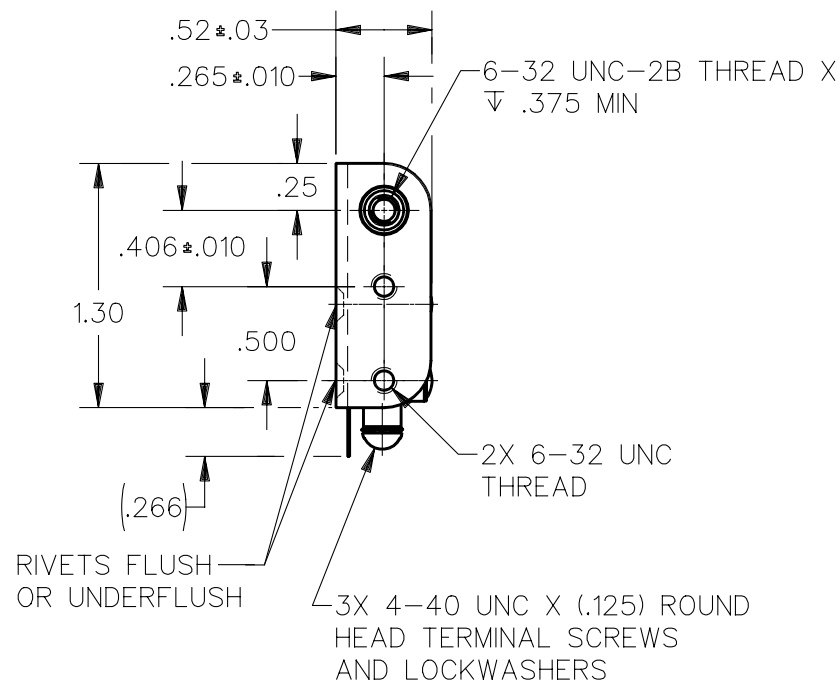
CHECK

CHECK

CHECK

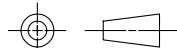
7 SEP 96

PUSH TO OPERATE—RETURNS
AUTOMATICALLY TO POSITION
SHOWN
PULL TO OPERATE—REMAINS
IN OPERATED POSITION UNTIL
RESET FOR AUTOMATIC RETURN
BY NEXT FULL STROKE "PUSH"
OPERATION



THIS DRAWING COVERS A PROPRIETARY ITEM AND IS THE PROPERTY OF MICRO SWITCH, A DIVISION OF HONEYWELL. THIS DRAWING IS NOT TO BE COPIED OR USED WITHOUT THE APPROVAL OF MICRO SWITCH

THIRD ANGLE PROJECTION



CHARACTERISTICS

ELECTRICAL DATA

SCALE FULL

TOTAL TRAVEL
 .250 APPROX PUSH DIRECTION
 .187 APPROX PULL DIRECTION
 FULLY DEPRESSED FORCE--4 LB MAX

CONTACT ARRANGEMENT
 S P D T

DO NOT SCALE PRINT

UNLESS OTHERWISE SPECIFIED
 TOLERANCES ARE

ONE PLACE (.0) ± .030
 TWO PLACE (.00) ± .015
 THREE PLACE (.000) ± .005
 ANGLES ±

WEIGHT

NOTES

- 1 - NOTCH IN ACTUATOR ROD WILL PERMIT .035 DISPLACEMENT BETWEEN END OF ROD AND HOLE IN BRACKET
- 2 - BASIC SWITCH PLASTIC PARTS ARE MADE OF DIALLYL PHTHALATE
- 3 - WITH ROD IN EITHER ACTUATED POSITION, BASIC SWITCH PLUNGER MUST HAVE .010 MIN OVERTRAVEL AND WITH ROD IN FREE POSITION BASIC SWITCH PLUNGER MUST HAVE .005 MIN RELEASE TRAVEL

ANSI Y14.5M-1982 APPLIES